

Effective Casting Simulation Web-Based Training Using

SOLID9CAST FLOW9CAST

Learn how to use the world's most popular casting simulation software! These live, web-based seminars cover all aspects of system operation for your specific foundry process. You will learn how to activate and set up your system, how to rig your castings using the built-in gating and riser design functions, even fine tune your results for highest yields using automatic process optimization!

Each participant will receive a 45-day evaluation license for the software, so you can run through the case studies that we will provide. You can also simulate your own castings, to see how the software can be applied in your shop.

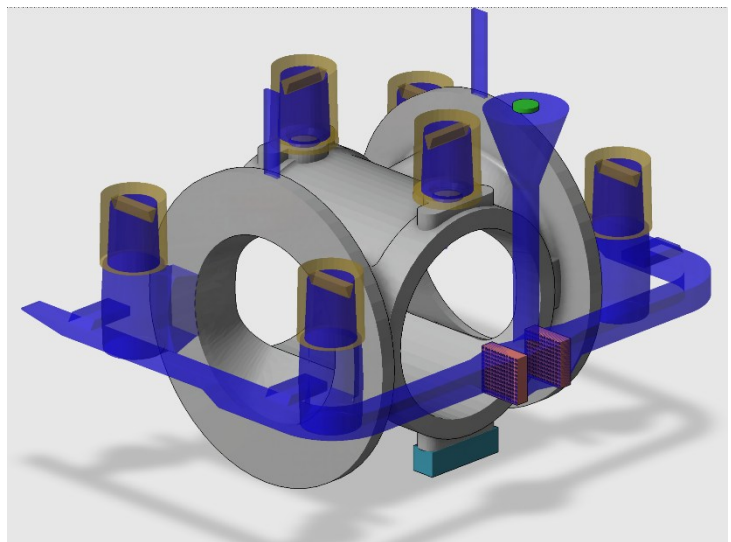
Live Web-Based Training Schedule

Foundry Process	3 Sessions of 2 hours each 2:00pm to 4:00pm Central Time
Sand Casting for Contracting Alloys (steel, aluminum, copper, etc)	May 18, 20 & 22, 2026
Sand Casting for Expanding Alloys (gray and ductile irons)	June 1, 3 & 5, 2026
Investment Casting	June 8, 10 & 12, 2026
Permanent Mold Casting	June 22, 24 & 26, 2026

Cost: US\$300 per person, per session.

For more details or to register, contact:

David Schmidt
Finite Solutions Inc
4769 Highland Park Dr
Slinger WI 53086-9441
Tel 1 262 644 0785
Email Dave@finitesolutions.com
<https://finite.solutions>



Casting rigged using the Gating and Riser Design Wizards



Effective Casting Simulation Web-Based Training Using

SOLID9CAST **FLOW9CAST**

Registration Form

Please fill out this form and e-mail it back to Finite Solutions Inc at Dave@finitesolutions.com

Please register me for the following class session(s):

- | | | |
|-----|------------------------|-------------------------------------|
| ___ | May 18, 20 & 22, 2026 | Sand Casting for Contracting Alloys |
| ___ | June 1, 3 & 5, 2026 | Sand Casting for Expanding Alloys |
| ___ | June 8, 10 & 12, 2026 | Investment Casting |
| ___ | June 22, 24 & 26, 2026 | Permanent Mold Casting |

Class Fees are US\$300 per person, per session. If more than one person per company registers, there is a US\$100 per person discount on additional registrations. Class fees will be credited upon purchase of the software, if done during the 45-day evaluation period.

All sessions will be conducted from 2:00pm to 4:00pm, Central Daylight Time. Sessions will be recorded and distributed to the attendees after the class completes. Additional case studies will be provided to all session attendees after the class.

Name(print)

Date

Company

Address

City

State

Country

Zip/Postal Code

Telephone

Email Address

Credit Card (Visa, MC, AmEx) # _____ EXP _____ CVV _____

Signature _____ Print Name _____

NOTE: Payment is REQUIRED to secure your reservation in this course. Once payment is processed, we will forward a link to you to acquire all course materials and to connect to the on-line session.